



NAVIGATE THE CATALOG BY SECTION

1	2	3	4	5	6	7	8	9	10	11	12	13	14	15	16	17	18	19	20	21	22
---	---	---	---	---	---	---	---	---	----	----	----	----	----	----	----	----	----	----	----	----	----

LAPP ONLINE CATALOG

SKINTOP® Strain Relief Cord Connectors SKINTOP® SL/SLR

Liquid Tight, Non-Metallic Strain Relief Cable Gland with PG Threads

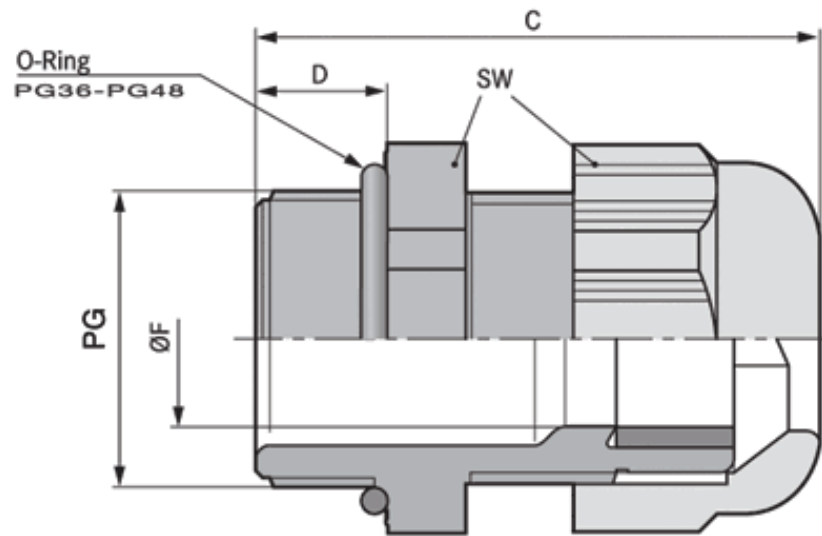


SKINTOP® SL/ SLR is a durable, liquid tight, easy to assemble strain relief cable gland with PG threads that is universally suited for all types of machinery & equipment, including automation, motion control, process control and robotics.

Application Advantage:

- The heavy duty SKINTOP® design provides great pullout strength and very reliable strain relief
- Superior integrated locking mechanism includes an internal ratchet for vibration proof protection
- Multi-trapezoidal thread requires just one twist to tighten
- Generous high quality neoprene bushing provides a liquid tight and dust proof, hermetic seal





TECHNICAL DATA:

Materials:

Body: Polyamide

Bushing: CR

Locknuts: Included

Color: Black (RAL 9005) UV Resistant

Gray (RAL 7001)

* Lt Gray (RAL 7035) available upon request

Protection Seal: 70 PSI

IP 68, 5 Bar

Exceeds NEMA 6/6P Pressure rating

Temperature Range: -20°C to +80°C

Part Number	Thread Type	UL Status	Clamping Range ØF	SW Wrenching Flats	C Overall Length	D Thread Length	Standard Pack	Weight 100 pcs.
			inches	inches	inches	inches	Size	lbs.
PG Thread - Standard Type - Black								
S2107	PG-7	R	.098 - .256	0.591	1.260	0.315	100	1.00
S2109	PG-9	R	.138 - .315	0.748	1.417	0.315	100	1.50
S2111	PG-11	R	.157 - .394	0.866	1.496	0.315	100	2.00
S2113	PG-13	L	.236 - .472	0.945	1.614	0.354	100	2.50
S2116	PG-16	L	.354 - .551	1.063	1.732	0.394	50	3.00
S2121	PG-21	L	.512 - .709	1.299	1.929	0.433	50	5.00
S2129	PG-29	R	.551 - .984	1.654	2.205	0.433	25	8.50
S2136	PG-36	L	.945 - 1.260	2.087	2.598	0.512	10	17.50
S2142	PG-42	R	1.378 - 1.496	2.362	2.677	0.512	5	24.00
S2148	PG-48	L	1.535 - 1.732	2.559	2.717	0.551	5	29.00
PG Thread - Standard Type - Gray								
S1107	PG-7	R	.098 - .256	0.591	1.260	0.315	100	1.00
S1109	PG-9	R	.138 - .315	0.748	1.417	0.315	100	1.50
S1111	PG-11	R	.157 - .394	0.866	1.496	0.315	100	2.00
S1113	PG-13	L	.236 - .472	0.945	1.614	0.354	100	2.50
S1116	PG-16	L	.354 - .551	1.063	1.732	0.394	50	3.00
S1121	PG-21	L	.512 - .709	1.299	1.929	0.433	50	5.00
S1129	PG-29	R	.551 - .984	1.654	2.205	0.433	25	8.50
S1136	PG-36	L	.945 - 1.260	2.087	2.598	0.512	10	17.50
S1142	PG-42	R	1.378 - 1.496	2.362	2.677	0.512	5	24.00
S1148	PG-48	L	1.535 - 1.732	2.559	2.717	0.551	5	29.00